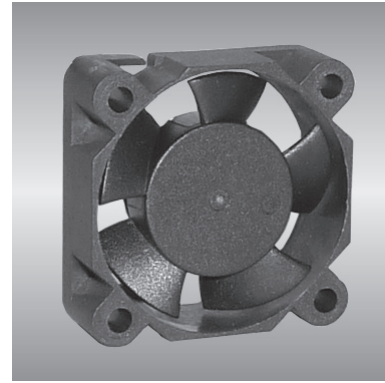


30 AG series

x30x10mm



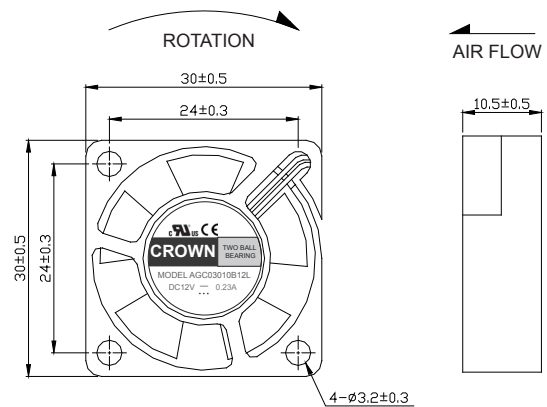
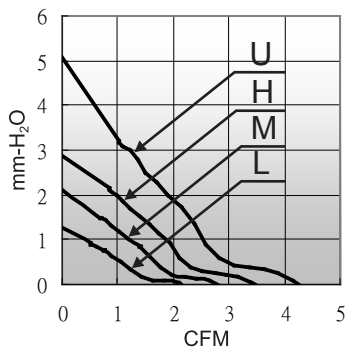
General Specifications

- Motor : 4 Poles brushless DC motor
- Frame & Impeller : Plastic(UL 94V-0)
- Storage temperature : -40° to +75°
- Operating temperature : -10° to +70°

Major Characteristic Parameters

Model	*Bearing System	Rated Voltage	Operating Voltage Range	Rated Current	Rated Speed	Maximum Air Flow		Maximum Static Pressure		Sound Level	Weight
Part NO.	B / S / F	V	V	A	RPM	m ³ /min	CFM	mm-H ₂ O	In-H ₂ O	dB(A)	g
AGE03010_05L	B / S / F	5	4.5~5.5	0.06	6000	0.06	2.16	1.3	0.05	18.0	8
AGE03010_12L	B / S / F	12	7.0~13.2	0.03	6000	0.06	2.16	1.3	0.05	18.0	8
AGE03010_05M	B / S / F	5	4.5~5.5	0.08	7500	0.08	2.79	2.1	0.08	20.0	8
AGE03010_12M	B / S / F	12	7.0~13.2	0.05	7500	0.08	2.79	2.1	0.08	20.0	8
AGE03010_05H	B / S / F	5	4.5~5.5	0.10	9000	0.10	3.47	2.9	0.11	25.0	8
AGE03010_12H	B / S / F	12	7.0~13.2	0.07	9000	0.10	3.47	2.9	0.11	25.0	8
AGE03010_05U	B / S / F	5	4.5~5.5	0.14	11000	0.12	4.24	4.3	0.17	27.0	8
AGE03010_12U	B / S / F	12	7.0~13.2	0.09	11000	0.12	4.24	4.3	0.17	27.0	8

*Bearing system B: Two Ball Bearing F: Fluid Bearing S: Sleeve Bearing



unit:mm